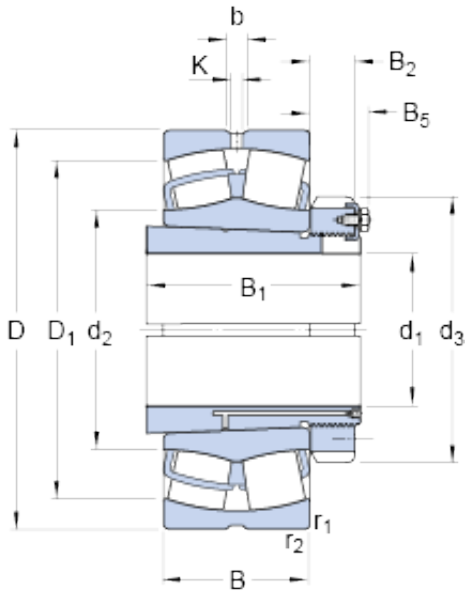




WUXI IKC MACHINERY BEARING CO., LTD.



SKF 23076 CCK/W33 + OH 3076 H tapered roller bearings

Bearing No. 23076 CCK/W33 + OH 3076 H

23076 CCK/W33 + OH 3076 H Bearing 2D drawings and 3D CAD models

Size	560x360x135 mm
Bore Diameter	560 mm
Outer Diameter	360 mm
Width	135 mm
d_1	360 mm
D	560 mm
B	135 mm
d_2	426 mm
d_3	450 mm
D_1	509 mm
B_1	193 mm
B_2	48 mm
B_5	62 mm
b	22.3 mm
K	12 mm
$r_{1,2}$ - min.	5 mm
d_a - max.	426 mm
d_b - min.	396 mm
D_a - max.	542 mm
B_a - min.	15 mm
r_a - max.	4 mm
Basic dynamic load rating - C	2984 kN
Basic static load rating - C_0	5000 kN



WUXI IKC MACHINERY BEARING CO., LTD.

Fatigue load limit - P_u	360 kN
Reference speed	900 r/min
Limiting speed	1200 r/min
Calculation factor - e	0.22
Calculation factor - Y_1	3
Calculation factor - Y_2	4.6
d_1	360 mm
d_2	426 mm
d_3	450 mm
D_1	509 mm
B_1	193 mm
B_2	48 mm
B_5	62 mm
$r_{1,2}$ min.	5 mm
d_a max.	426 mm
d_b min.	396 mm
D_a max.	542 mm
B_a min.	15 mm
r_a max.	4 mm
Basic dynamic load rating C	2984 kN
Basic static load rating C_0	5000 kN
Fatigue load limit P_u	360 kN
Calculation factor e	0.22
Calculation factor Y_1	3
Calculation factor Y_2	4.6
Calculation factor Y_0	2.8
Mass bearing + sleeve	145 kg