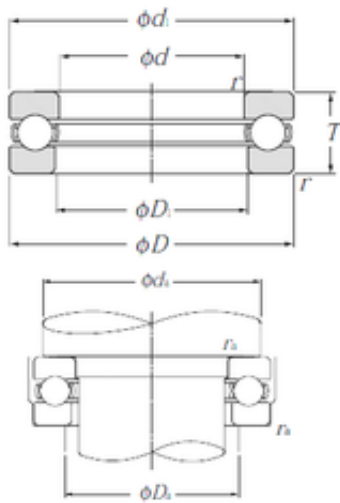




WUXI IKC MACHINERY BEARING CO., LTD.



NTN 51117 thrust ball bearings

Bearing No. 51117

51117 Bearing 2D drawings and 3D CAD models

Size	85x110x19 mm
Bore Diameter	85 mm
Outer Diameter	110 mm
Width	19 mm
d	85 mm
D	110 mm
T	19 mm
d1	110 mm
r min.	1 mm
D1	87 mm
da min.	100 mm
Da max.	95 mm
ra max.	1 mm
Weight	0,444 Kg
Basic dynamic load rating (C)	46 kN
Basic static load rating (C0)	150 kN
(Grease) Lubrication Speed	2 100 r/min
Category	Thrust Ball Bearing
Inventory	0.0
Manufacturer Name	NTN
Minimum Buy Quantity	N/A
Weight / Kilogram	0.444
EAN	4547359306187
Product Group	B00308
Rolling Element	Ball Bearing
Thrust Bearing	Yes



WUXI IKC MACHINERY BEARING CO., LTD.

Single or Double Direction	Single Direction
Banded	No
Cage Material	Steel
Precision Class	ABEC 1 ISO P0
Component Description	Roller Assembly Plus Raceways
Other Features	Single Row With Flat Seat
Long Description	85MM Bore 1; 87MM Bore 2; 110MM Outside Diameter; 19MM Height; Ball Bearing; Single Direction; Not Banded; Steel Cage; ABEC 1 ISO P0 Precision
Inch - Metric	Metric
Category	Thrust Ball Bearings
UNSPSC	31171552
Harmonized Tariff Code	8482.10.50.08
Noun	Bearing
Keyword String	Ball Thrust
Manufacturer URL	http://www.ntnamerica.com
Manufacturer Item Number	51117
Weight / LBS	0.97885
Bore 2	3.425 Inch 87 Millimeter
Height	0.748 Inch 19 Millimeter
Bore 1	3.346 Inch 85 Millimeter
Outside Diameter	4.331 Inch 110 Millimeter
Overall Height with Aligning Washer	0 Inch 0 Millimeter
bore diameter:	85 mm
dynamic load capacity:	46000 N
outside diameter:	110 mm
operating temperature range:	-40 to 120 ° C



WUXI IKC MACHINERY BEARING CO., LTD.

overall width:	19 mm
maximum rpm:	3000 rpm
thrust bearing type:	Single-Direction
bearing material:	High Carbon Chrome Steel
outside diameter design:	Straight
cage material:	Steel
separable or banded:	Separable
fillet radius:	1 mm
precision rating:	ISO Class 0
series:	511
static load capacity:	150000 N
manufacturer product page:	Click here