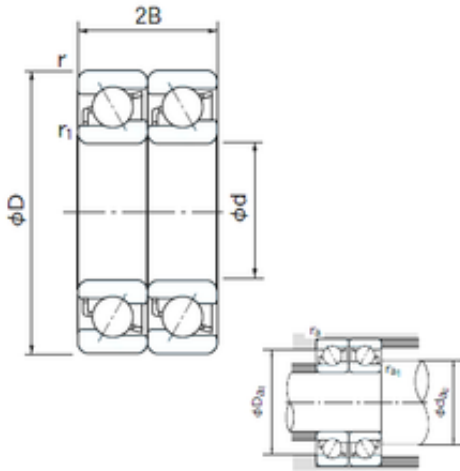




# WUXI IKC MACHINERY BEARING CO., LTD.



150 mm x 270 mm x 45 mm NACHI 7230DT  
angular contact ball bearings

Bearing No. 7230DT

7230DT Bearing 2D drawings and 3D CAD models

Size	150x270x45 mm
Bore Diameter	150 mm
Outer Diameter	270 mm
Width	45 mm
d	150 mm
D	270 mm
B	45 mm
C	45 mm
Angle ( ° )	30 °
a	38.1 mm
r min.	3 mm
r1 min.	1.1 mm
2B	90 mm
da min.	157 mm
Da max.	263 mm
ra max.	1 mm
Weight	11.0 Kg
Basic dynamic load rating (C)	405 kN
Basic static load rating (C0)	560 kN
(Grease) Lubrication Speed	1600 r/min
Bore Type	Cylindrical Bore
Enclosure	Open
Configuration	Duplex
Bore Size	150 mm
Outside Diameter	270 mm



## WUXI IKC MACHINERY BEARING CO., LTD.

Width	45 mm
Fillet Radius/Chamfer	3 mm
r1	1.1 mm
Dynamic Load Rating	405,000 N
Static Load Rating	560,000 N
Limiting Speed - Grease	1,600 rpm
Limiting Speed - Oil	2,200 rpm
da1 (min)	164 mm
da2 (min)	157 mm
Da1 (max)	256 mm
Da2 (max)	263 mm
ra (max)	2.5 mm
ra1 (max)	1 mm