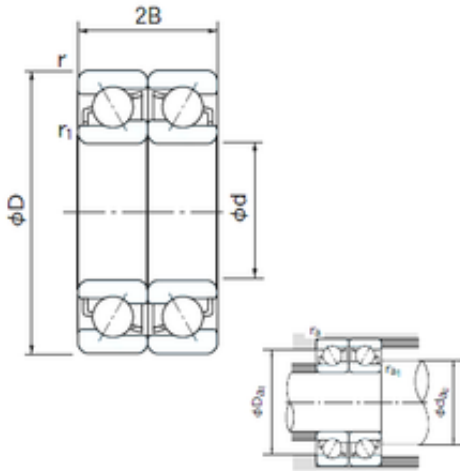




WUXI IKC MACHINERY BEARING CO., LTD.



7203DF Bearing 2D drawings and 3D CAD models

17 mm x 40 mm x 12 mm NACHI 7203DF
angular contact ball bearings

Bearing No. 7203DF

Size	17x40x12 mm
Bore Diameter	17 mm
Outer Diameter	40 mm
Width	12 mm
d	17 mm
D	40 mm
B	12 mm
C	12 mm
Angle (°)	30 °
a	2.2 mm
r min.	0.6 mm
r1 min.	0.3 mm
2B	24 mm
da min.	19 mm
Da max.	37.4 mm
ra max.	0.3 mm
Weight	0.070 Kg
Basic dynamic load rating (C)	19,4 kN
Basic static load rating (C0)	13,2 kN
(Grease) Lubrication Speed	13000 r/min
Bore Type	Cylindrical Bore
Enclosure	Open
Configuration	Duplex
Bore Size	17 mm
Outside Diameter	40 mm



WUXI IKC MACHINERY BEARING CO., LTD.

Width	12 mm
Fillet Radius/Chamfer	0.6 mm
r1	0.3 mm
Dynamic Load Rating	19,400 N
Static Load Rating	13,200 N
Limiting Speed - Grease	13,000 rpm
Limiting Speed - Oil	17,000 rpm
da1 (min)	22 mm
da2 (min)	19 mm
Da1 (max)	35 mm
Da2 (max)	37.4 mm
ra (max)	0.6 mm
ra1 (max)	0.3 mm