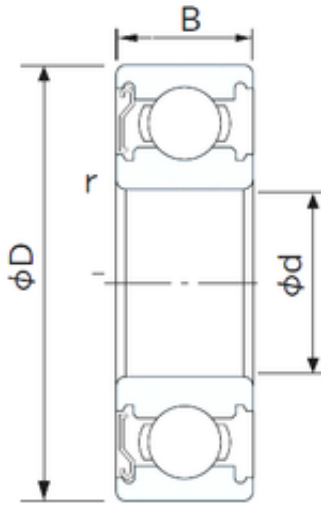




# WUXI IKC MACHINERY BEARING CO., LTD.



40 mm x 90 mm x 23 mm NACHI 6308ZE deep groove ball bearings

Bearing No. 6308ZE

6308ZE Bearing 2D drawings and 3D CAD models

Size	40x90x23 mm
Bore Diameter	40 mm
Outer Diameter	90 mm
Width	23 mm
d	40 mm
D	90 mm
B	23 mm
C	23 mm
r min.	1.5 mm
da min.	49 mm
Da max.	81 mm
ra max.	1.5 mm
Weight	0.633 Kg
Basic dynamic load rating (C)	40,5 kN
Basic static load rating (C0)	24,1 kN
(Grease) Lubrication Speed	7500 r/min
Category	Single Row Ball Bearings
Inventory	0.0
Manufacturer Name	NACHI
Minimum Buy Quantity	N/A
Weight / Kilogram	0
Product Group	B00308
Enclosure	1 Metal Shield
Precision Class	ABEC 1   ISO P0
Maximum Capacity / Filling	No



## WUXI IKC MACHINERY BEARING CO., LTD.

Slot	
Rolling Element	Ball Bearing
Snap Ring	No
Internal Special Features	No
Cage Material	Steel
Internal Clearance	C0-Medium
Inch - Metric	Metric
Long Description	40MM Bore; 90MM Outside Diameter; 23MM Outer Race Width; 1 Metal Shield; Ball Bearing; ABEC 1   ISO P0; No Filling Slot; No Snap Ring; No Internal Special Features; C0-Medium Internal Clearance; Steel
Other Features	Deep Groove
Category	Single Row Ball Bearing
UNSPSC	31171504
Harmonized Tariff Code	8482.10.50.68
Noun	Bearing
Keyword String	Ball
Manufacturer URL	<a href="http://www.nachiamerica.com">http://www.nachiamerica.com</a>
Weight / LBS	1.411
Outer Race Width	0.906 Inch   23 Millimeter
Outside Diameter	3.543 Inch   90 Millimeter
Bore	1.575 Inch   40 Millimeter
Inner Race Width	0 Inch   0 Millimeter