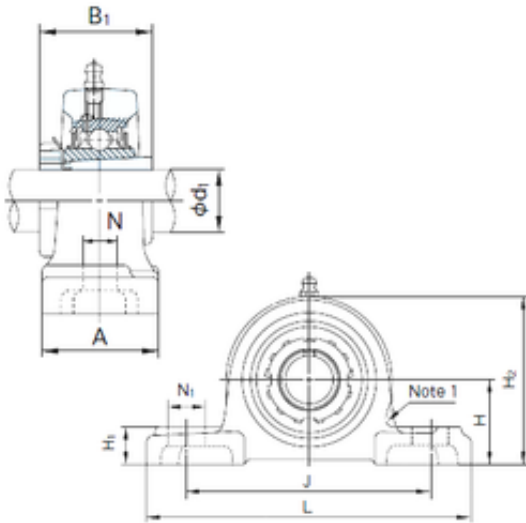




# WUXI IKC MACHINERY BEARING CO., LTD.

## NACHI UKP310+H2310 bearing units

Bearing No. UKP310+H2310



UKP310+H2310 Bearing 2D drawings and 3D CAD models

Bore Diameter	45 mm
Width	75 mm
d	45 mm
A	75 mm
B1	55 mm
H	75 mm
H1	28 mm
H2	143 mm
J	212 mm
L	275 mm
N	20 mm
N1	35 mm
Bolt (G)	M16